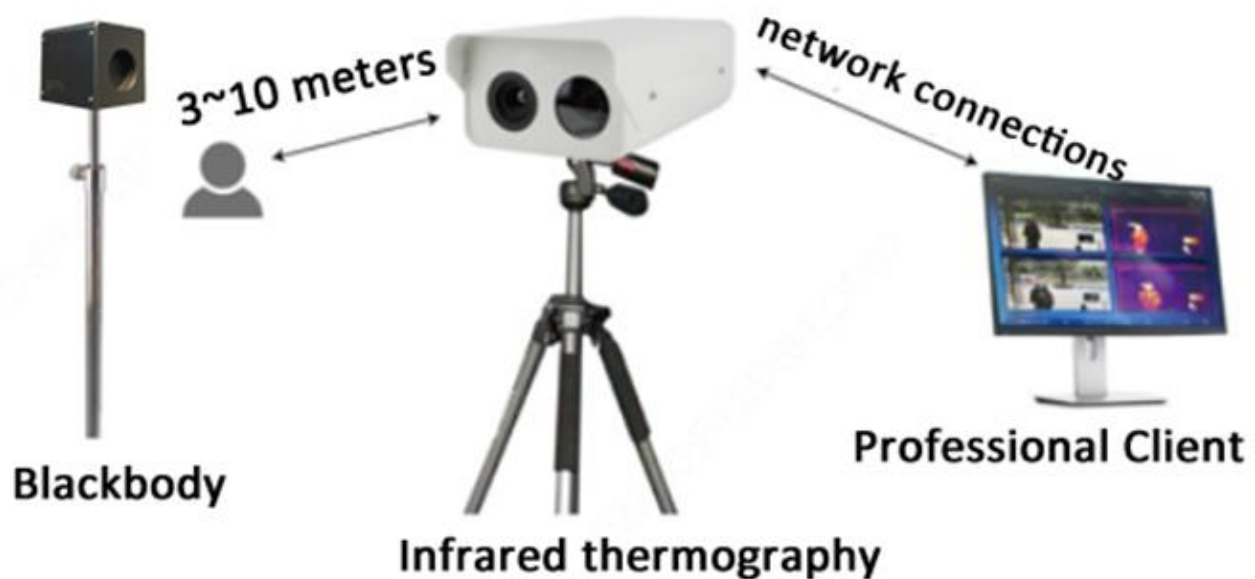


## THERMOGRAPHIC FEVER SCREEN SYSTEM



### *Fever Screen System*

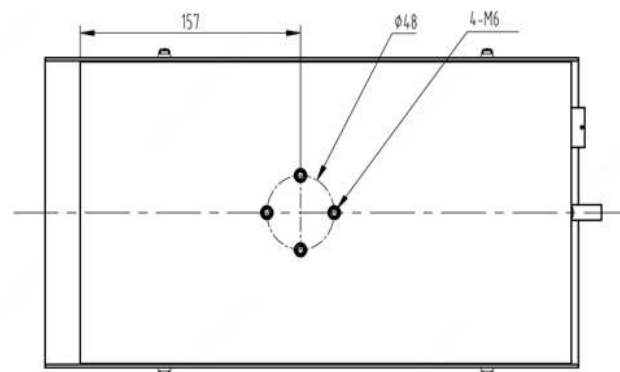
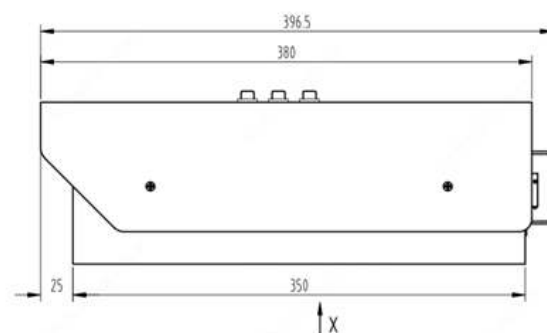
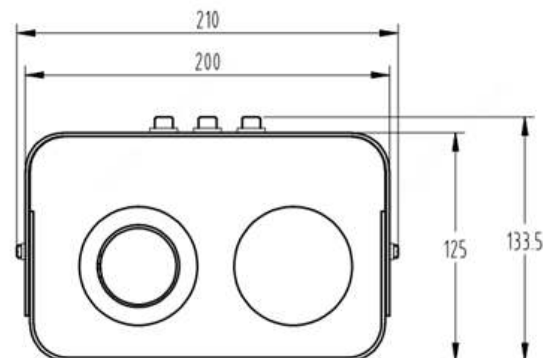
## **UVT-TFSSLR**

- > System contains blackbody, camera, tripod and software for real time thermal imaging and automatic temperature measurement of multiple targets
- > Temperature measurement accuracy is  $\leq 0.54^{\circ}\text{F}$  ( $0.3^{\circ}\text{C}$ )
- > Simultaneous temperature display of visible and infrared thermal imaging
- > Large scenes can also be accurately and quickly screened
- > Supports automatic capture when alarm is triggered to provide evidence after the event
- > Supports automatic calibration of body and surface temperature to make temperature measurement more accurate
- > Supports historical alarm record query

## Specifications

| Camera                                     |  |
|--|--|
| Sensor                                     | Thermal: Uncooled focal plane array<br>Visible: 1/1.8" progressive scan CMOS   |
| Resolution                                 | Thermal: 384 x 288 @ 25fps<br>Visible: 1920 x 1080 @ 30fps   |
| Lens                                       | Thermal: 18mm; Video: 3.8 ~ 16mm   |
| Iris                                       | Thermal: F1.0; Video: F1.6   |
| Angle of View (H x V)                      | 25° X 19°  |
| Thermal Detection Distance                 | 9.8 ~ 32.8ft (3 ~ 10m)   |
| Visible Minimum illumination               | Color: 0.001 Lux; B/W: 0.0002 Lux (F1.6, AGC ON)   |
| Visible S/N                                | > 52dB   |
| Visible Defog                              | Optical & Digital  |
| Visible Day/Night                          | IR-cut filter with auto switch (ICR)   |
| Visible WDR                                | 120dB  |
| Visible OSD                                | Up to 8 OSDs   |
| Local & Network Storage                    | Micro SD, up to 256GB; ANR   |
| Network protocols                          | IPv4, IGMP, ICMP, ARP, TCP, UDP, DHCP, PPPoE, RTP, RTSP, RTCP, DNS, DDNS, NTP, FTP, UPnP, HTTP, HTTPS, SMTP, 802.1x, SNMP, QoS |
| Dimension / Weight                         | 15.6 x 8.3 x 5.2in (396.5 x 210 x 133.5mm);<br>11lb (5kg)  |
| Black Body                                 |  |
| Accuracy                                   | ±0.36°F (±0.2°C) (Single point)  |
| Stability                                  | ±0.18 ~ 0.36°F (±0.1 ~ 0.2°C) / 30min  |
| Radiation area                             | φ 2.76" (φ70mm)  |
| General                                    |  |
| Environment Temp & Humidity                | 60.8° ~ 89.6°F (16° ~ 32°C); ≤90%RH (non-condensing)   |
| Target Temp Range                          | 89.6° ~ 107.6°F (32° ~ 42°C); ≤±0.54°F (±0.3°C)  |
| Alarm                                      | Multi abnormal temperature point alarm and automatic capture   |
| Capture                                    | Capture when alarm is triggered  |
| Temperature display                        | Simultaneous display of temperature in infrared and visible light images   |
| Correction of body and surface temperature | Support automatic temperature calibration  |
| PC Requirement                             | CPU I5 or more / memory 8G. Operating system win10, 64-bit.  |

## Dimensions



CAMERA